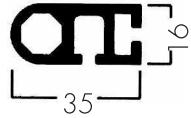
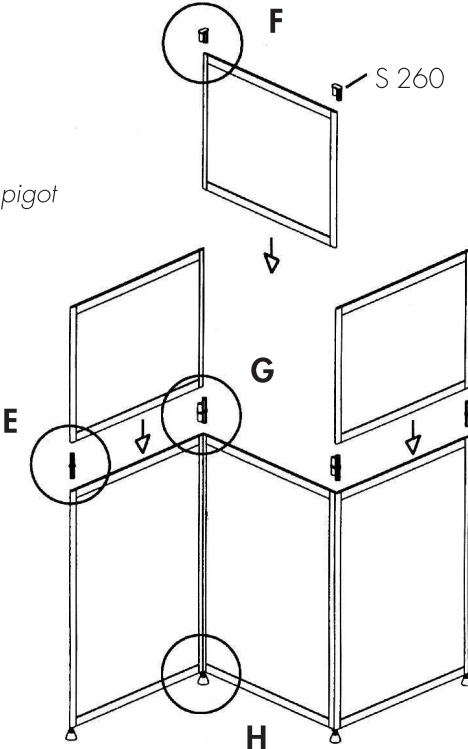
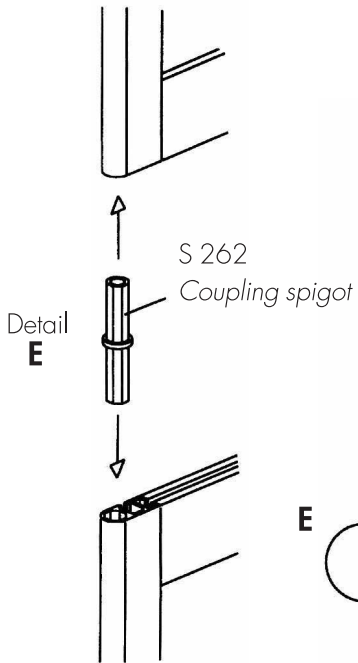


S 250

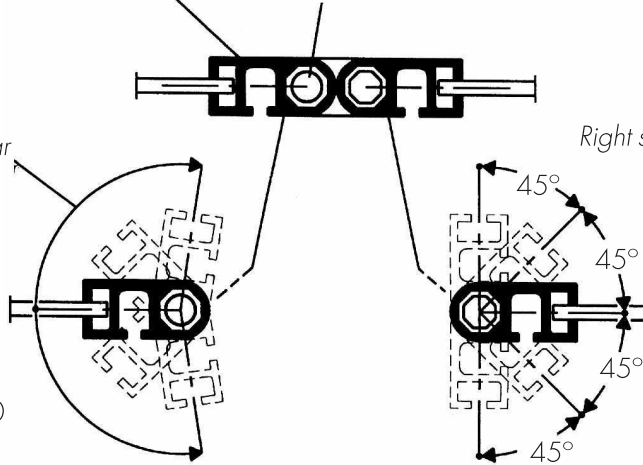


Practical Examples

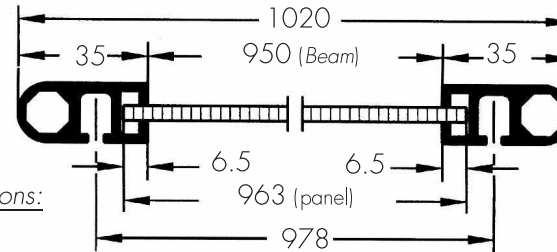


Left side:  
any angular  
position

Hinged extrusion S 250, connected with  
hinged connector (for ex. S 260)

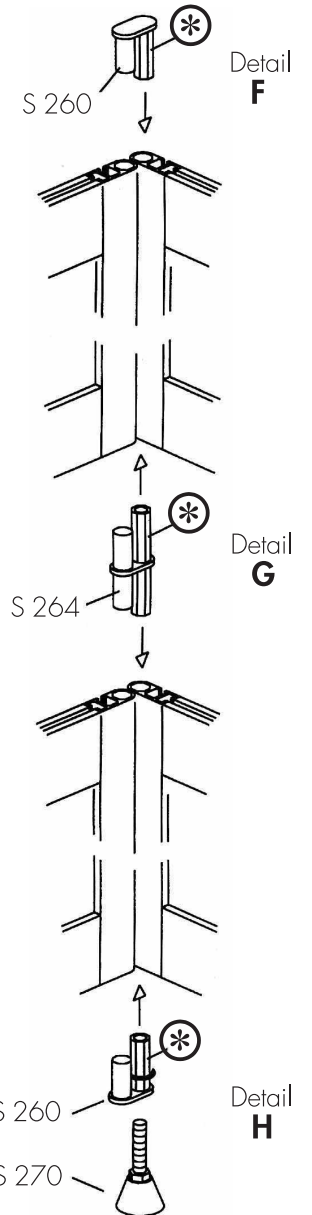


Right side: 45° steps



System dimensions:

\* Please note:  
The octagon bolts must always be  
positioned one on top of the other  
to ensure the angular adjustability



TI S250-2.1 10.1996 10/05 SHIFT